

FEATURES

- Flush diaphragm design
- M4x0.7 thread
- Low Installation Torque Sensitivity
- Many options available

APPLICATIONS

- Glue dispensing systems
- Hydraulic circuits
- Explosion test benches
- Molding and forming profiles
- Robotics and effectors
- Laboratory

XPM4

Miniature Pressure Transducer

SPECIFICATIONS

- Ranges 5 to 200 bar [75 psi to 3 000 psi]
- Sealed and gauge pressure reference
- Titanium device
- Cable or connector outlet
- Linearity down to $\pm 0.35\%$ F.S.
- Customized product upon request

The **XPM4** is a miniature transducer designed to measure static and dynamic pressure under a wide variety of conditions, including hostile environments. The all-titanium construction and flush diaphragm protect the sensor against most corrosive environments.

The **XPM4** threaded construction virtually eliminates zero shifts caused by installation torque.

The **XPM4**'s sensing element is a fully temperature compensated Wheatstone bridge configuration made with high stability, micro-machined, silicon strain gauges which optimize performance.

As standard, the **XPM4** is supplied with a cable outlet, strengthened by a strain-relief spring. An electrical connector outlet can be provided (optional).

STANDARD RANGES

Ranges (FS)		Pressure Reference		Resonant Frequency ¹	Sensitivity "FSO" ²	Overpressure	Burst Pressure
bar	psi	Gauge	Sealed		(for FS)	(rated pressure)	(rated pressure)
5	75	•	•	249 kHz	30 mV	2 x FS	5 x FS
10	150	•	•	249 kHz	60 mV	2 x FS	5 x FS
20	300	•	•	299 kHz	100 mV	2 x FS	5 x FS
50	750	•	•	374 kHz	100 mV	2 x FS	5 x FS
100	1.5K		•	474 kHz	100 mV	2 x FS	5 x FS
200	3K		•	673 kHz	100 mV	2 x FS	5 x FS

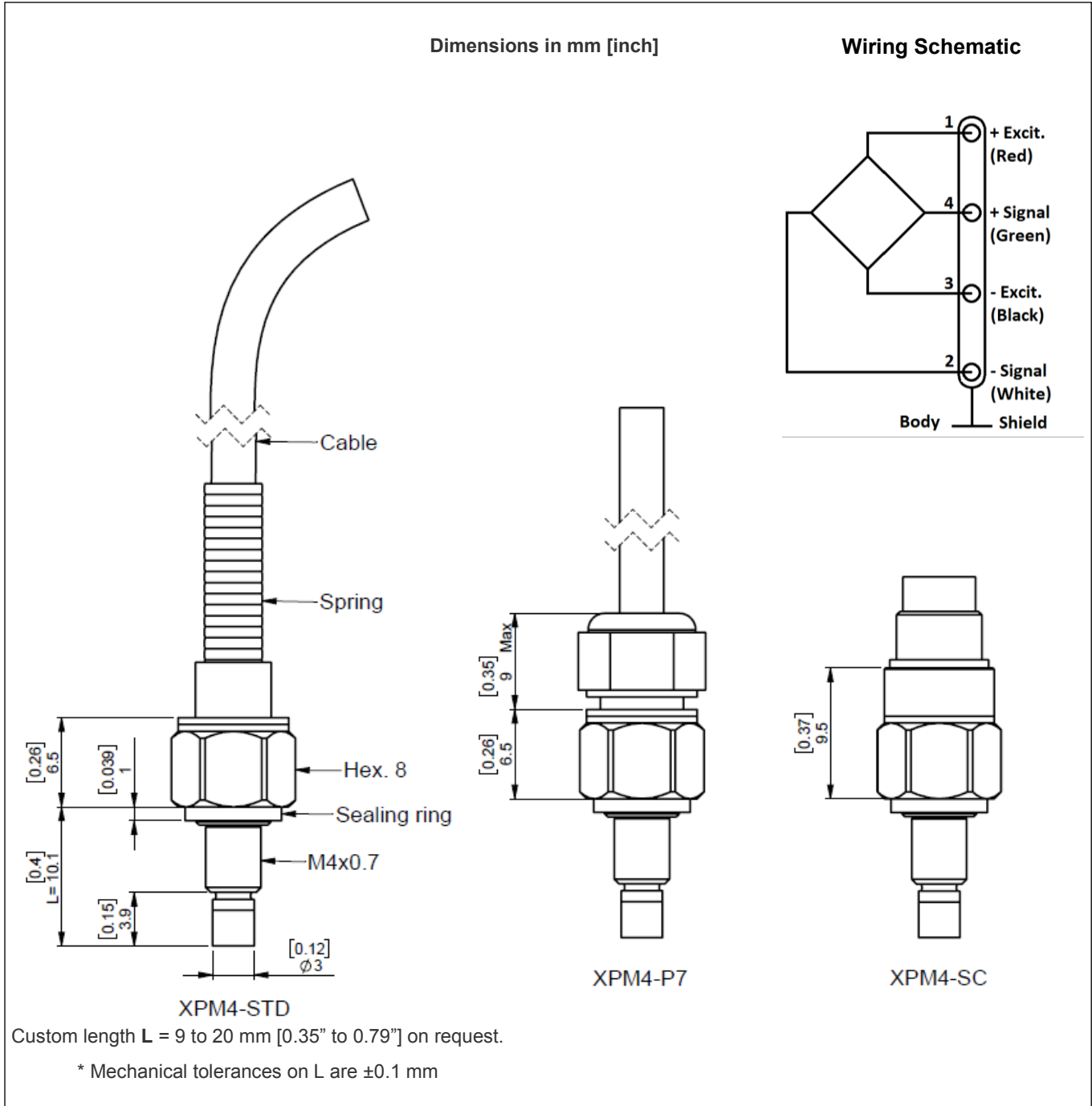
1: Useful frequency is 20% of Resonant Frequency.

2: Sensitivity "FSO" is indicated as nominal value with 10Vdc supply voltage

PERFORMANCE SPECIFICATIONS (typical values at temperature 23°C)

Parameters	Values	Notes
Power supply	10 V _{DC} regulated	See V00 option for non standard
Zero Offset	±10 mV	
Non Linearity	±0.5%FS ±0.35%FS	FS = 5 bar or 75 psi FS > 5 bar or 75 psi
Hysteresis	±0.25%FS	
Repeatability	±0.2%FS	
Operating Temperature (OTR)	-40 to 120°C (-40 to 250°F)	
Compensated Temperature (CTR)	0 to 60°C (32 to 140°F)	
Thermal Zero Shift in CTR	±5%FS/50°C ±2.5%FS/50°C	FS = 5 bar or 75 psi FS > 5 bar or 75 psi
Thermal Sensitivity Shift in CTR	±2%/50°C	
Input Impedance	1200 Ω nom.	
Output Impedance	1200 Ω nom.	
Ingress Protection	IP50 IP67	Standard or SC option P7 option
Media – Pressure Port	Liquids and Gases compatible with Titanium	
Insulation resistance (at 50V dc)	100MΩ	

DIMENSIONS & WIRING SCHEMATIC (IN METRIC AND IMPERIAL)



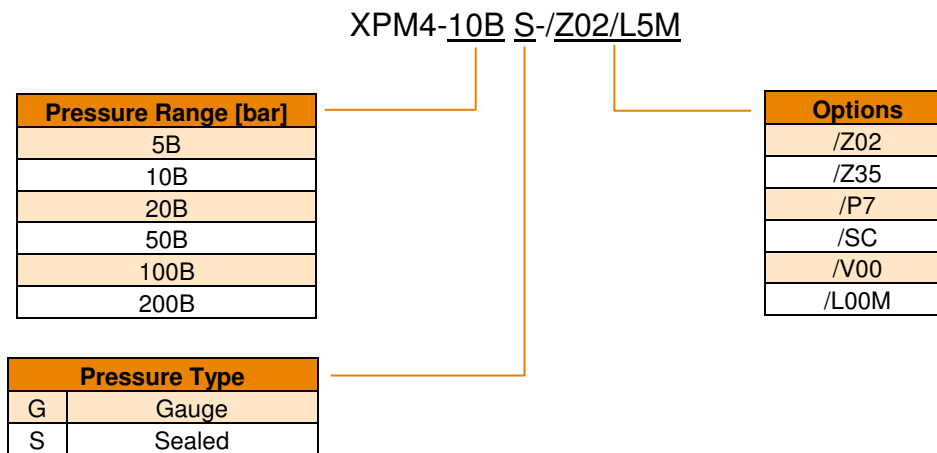
Notes:

1. Recommended Tightening Torque: 1.8 N.m [15 Lbf.in] to 3 N.m [25 Lbf.in]
2. Sealing: sealing ring with FKM elastomer is supplied with the sensor (operating temperature -30 to 150°C)
3. Electrical connection: Standard = 2m shielded cable, Ø3 mm, with 4 wires (AWG30), silicone jacket
SC option = Integral connector ref. Comtronic CMR-02D-04P supplied with mating plug CMR-02-B-04S wired with 2m of cable (FMC-COM-4B-L2M)

OPTIONS

Z02: Compensation Temperature Range (CTR) = -40 to 60°C [-40 to 140°F]
Z35: Compensation Temperature Range = 20 to 120°C [70 to 250°F]
P7: IP67 protection (operating -20°C to 120°C [0°F to 250°F] – available only for Sealed Gauge versions)
SC: Connector output, mating plug supplied with 2 m [6.6 ft] of shielded cable, with 4 wires (AWG30), silicone jacket
V00: Non-standard power supply calibration, replace “00” with value in Volt (ex: V5 for 5Vdc supply voltage)
L00M: special cable length, replace “00” with total length in meters (ex: L5M ; L10M ;...)

ORDERING INFO



NORTH AMERICA

Measurement Specialties, Inc.,
a TE Connectivity Company
Tel: +1 800 522 6752
Email: customercare.frmt@te.com

EUROPE

Measurement Specialties (Europe), Ltd.,
a TE Connectivity Company
Phone: +31 73 624 6999
Email: customercare.lcsb@te.com

ASIA

Measurement Specialties (China), Ltd.,
a TE Connectivity Company
Phone +86 400 820 6015
Email: customercare.shzn@te.com

TE.com/sensorsolutions

Measurement Specialties, Inc., a TE Connectivity company.

Measurement Specialties, TE Connectivity, TE Connectivity (logo) and EVERY CONNECTION COUNTS are trademarks. All other logos, products and/or company names referred to herein might be trademarks of their respective owners.

The information given herein, including drawings, illustrations and schematics which are intended for illustration purposes only, is believed to be reliable. However, TE Connectivity makes no warranties as to its accuracy or completeness and disclaims any liability in connection with its use. TE Connectivity's obligations shall only be as set forth in TE Connectivity's Standard Terms and Conditions of Sale for this product and in no case will TE Connectivity be liable for any incidental, indirect or consequential damages arising out of the sale, resale, use or misuse of the product. Users of TE Connectivity products should make their own evaluation to determine the suitability of each such product for the specific application.

© 2015 TE Connectivity Ltd. family of companies All Rights Reserved.